

Cabasse



ARCHIPEL 17

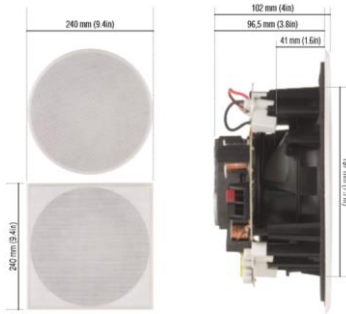
RECESSED MUSIC

The Archipel range of loudspeakers is designed for perfect integration in ceilings and walls, with no performance compromises. Developed with the same passion that goes into the technical and acoustic design of all Cabasse loudspeakers, the range offers the same presence, high fidelity sound reproduction and user benefits that are to be found in all the company's products.

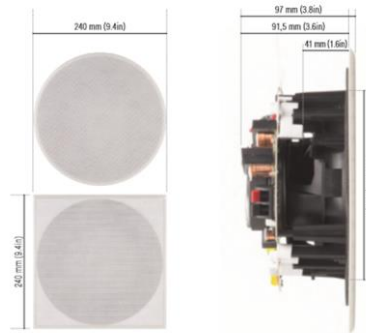
Cabasse



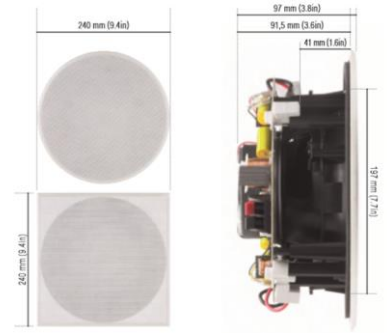
ARCHIPEL 17



ARCHIPEL 17 ICD



ARCHIPEL 17 ICP



ARCHIPEL 17 ICPS

SPECIFICATIONS

	ARCHIPEL 17 ICD	ARCHIPEL 17 ICP	ARCHIPEL 17 ICPS
Position	Dans le plafond / dans le mur	Intérieur/Extérieur	Intérieur/Extérieur
Ways	2	2	2 x 2
Drivers	1 x DOM25 pivoting tweeter Kaladex® dome 1 x midrange-woofer 17M20 IC Duocell diaphragm	1 x DOM24 pivoting tweeter soft dome 1 x midrange-woofer 17T20 IC diaphragm P2C	2 x DOM24 pivoting tweeter soft dome 1 x midrange-woofer 17T20 IC diaphragm P2C
Cross over point	2 600 Hz	3 500 Hz	3 200 Hz
Frequency response	58 - 22 000 Hz	48 - 21 500 Hz	40 - 19 000 Hz
Sensitivity _{1 W / 1 m}	87,5 dB	87,5 dB	84 dB
Nominal impédance	8 ohms	8 ohms	8 ohms
Minimal impédance	7,2 ohms	8,3 ohms	6,4 ohms
Power handling	40 W	35 W	2 x 20 W
Peak power	320 W	280 W	2 x 160 W
Dimensions (h x w x d)	24 x 24 x 10,2 cm	24 x 24 x 9,7 cm	24 x 24 x 9,7 cm
Weight	1,6 Kg	1,3 Kg	1,5 Kg
Finishes	White (paintable grill)	White (paintable grill)	White (paintable grill)

Cabasse SAS – 210 rue René Descartes – BP10 – 29280 Plouzané – Tél +33 (0)2 98 05 88 88 - Fax +33 (0)2 98 05 88 99
www.cabasse.com

Due to technical improvements already under way in our constant search for optimum quality, Cabasse reserves the right to modify all the models presented in specification sheets, advertising materials and manuals without prior notice.